



EU DECLARATION OF CONFORMITY
DECLARACIÓN UE DE CONFORMIDAD

3EBasor

CABLE TRAY SPECIALIST

www.basor.com



Certificado Nº SGI 3198065/11



Certificado Nº SGI 3198065/12

The company / *La Empresa:*

BASOR ELECTRIC, S.A.

Address / *Dirección:*

Av. Alcodar, 45-47, 46700. Gandía (VLC), Spain.

Declares that the product:

Declara que el producto:

BASORSUPPORT C-SHO

Installed in accordance to the installation standards, manufacturer's instructions and professional rules, duly maintained and used for the applications as intended.

Instalado de acuerdo con las normas de instalación, instrucciones del fabricante y conforme a las reglas profesionales, debidamente mantenido y utilizado en las aplicaciones para las que está previsto.

Complies with the essential requirements of the Council Directives:

Cumple con los requisitos esenciales de las Directivas del Consejo:

2014/35/UE (Low Voltage Directive) / (Directiva de Baja Tensión)

Incorporated in the Spanish Legislation in: R.D. 7/1988 and its modification R.D. 154/1995.

Incorporado en la Legislación Española en: R.D. 7/1988 y su modificación R.D. 154/1995.

And it is suitable and safe for the intended use and it is in conformity with the following standard:

Es adecuado y seguro para el uso a que está destinado y es conforme con la siguiente norma:

UNE EN 61537

Additional information:

Información adicional:

This product is intended to be installed and maintained by skilled persons, it may be used by ordinary persons only as a replacement part, to substitute for an identical device.

Este producto está previsto para ser instalado y mantenido por un profesional, puede ser usado por una persona no formada para reemplazamiento de uno idéntico.

Place and date:

Lugar y fecha:

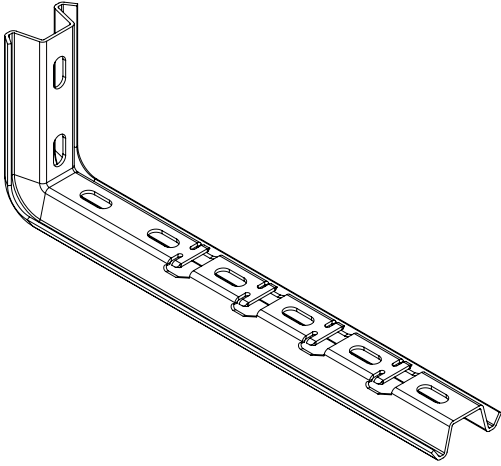
Gandía April 2016

Gandía Abril 2016

Technical department / *Departamento Técnico*



C-SHO HORIZONTAL SUPPORT



Models (B):

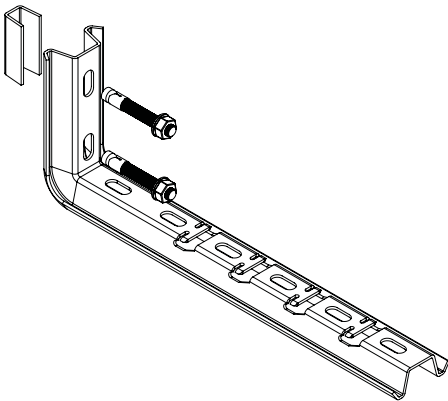
100; 150; 200; 300; 400.

Finishes: ss304, ss316.

Characteristics:

- Metallic
- Non-flame propagating component
- With electrical continuity characteristic
- Electrically conductive system
- Minimum temperature of -50 °C
- Maximum temperature of 150 °C
- Resistance to corrosion:
 - ss304: class 9A
 - ss316: class 9B

INSTRUCTIONS FOR USE



- For the assembly of the support, two anchorages are needed, and the SHO Supporting Piece is used to reinforce the fixation on the wall.
- The tray installation for an electrical system should NOT run under other types of canalisations such as water, vapour or gas.
- To guarantee a good ventilation we recommend installing the trays keeping a minimum distance of 250 mm between each tray.
- Trays which are placed on supports shall have to keep a gap of 20 mm from the wall to allow for a correct ventilation of the cables.
- C-SHO supports are used as horizontal supports for ERE, BF and BFR cable trays.
- To set up ERE cable trays B1 bolts are needed.
- To set up the trays BF/BFR there is no need of using hardware. One of the clicks can be pressed with a flat screwdriver.

SAFE WORKING LOAD

